

Z644TC/Z674TC耐磨陶瓷出料阀

Wear-resistant ceramic valve



全国免费热线：4000 700 555

特点：

本阀适用于发电厂干灰系统、仓泵出料输送。也可适用于矿山、造纸、化工等各类有磨损的干粉尘、水等介质在管道上作启闭之用。使用公称压力1.0MPa，适用温度≤425℃，气源压力0.6—0.8MPa。

本阀参照Armstrong阀门技术，关闭后任何方向全部密封。阀体阀盖采用WCB铸钢件及无缝钢管焊接，填料采用硬密封件。

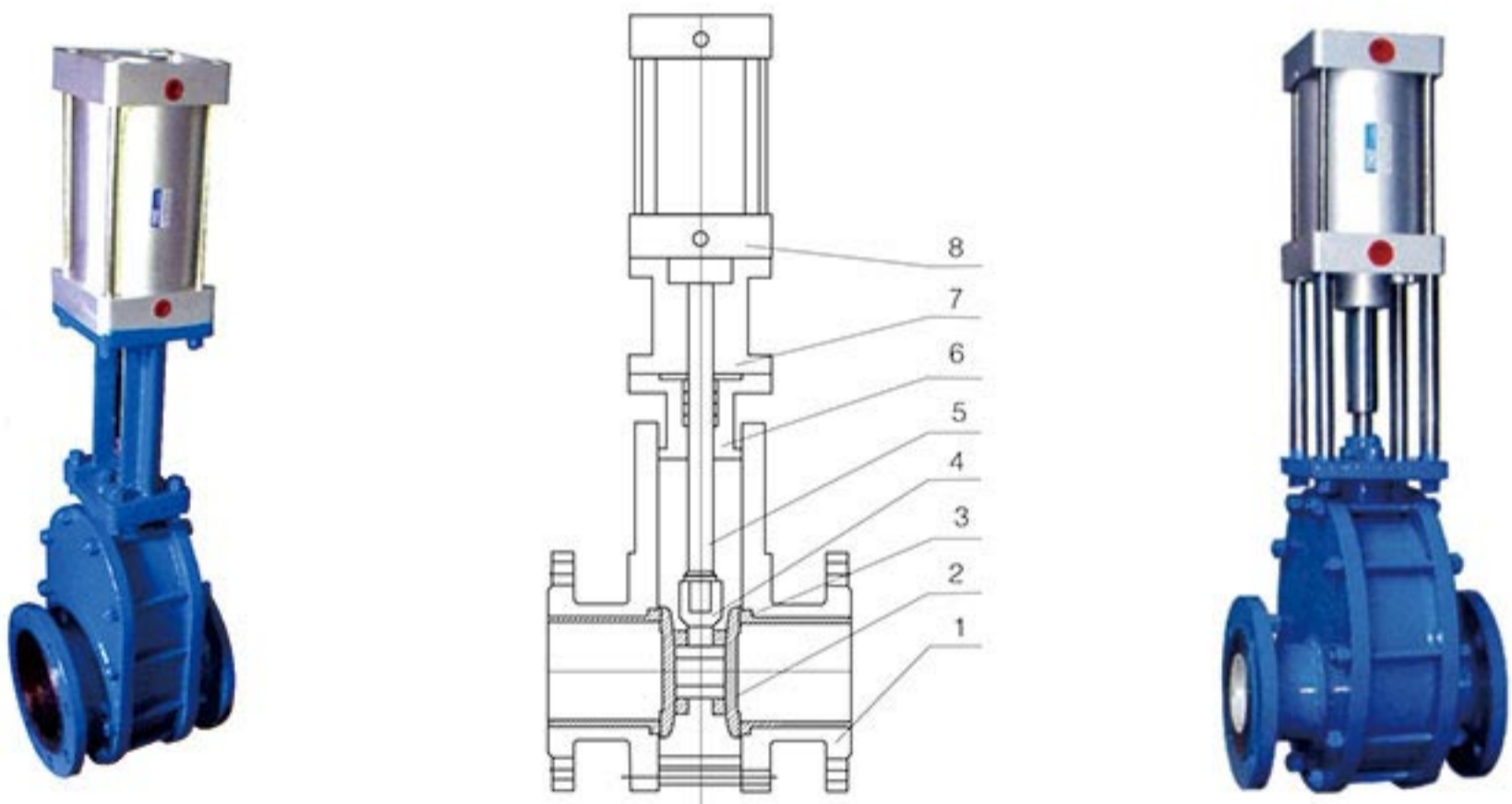
本阀密封性能好，耐磨性强，启动负荷小，卡灰及结灰现象少，使用寿命长。

CHARACTERISTIC:

This Valve is applicable for dry dust system in power plant and discharge of storage pump and it is also applicable for on / off of pipeline of various abrasive mediums like dry dust, water in mines, papermaking, chemical industry, etc.

Every direction will be entirely sealing after closing as this valve refer to the Armstrong valve technology, and the body and bonnet adopt WCB cast steel part and seamless steel tube welding, packing with hard Sealling parts.

This valve has many advantages, such as excellent sealing, strong abrasion-resistant, small on / off load, little clogged dust or dust accumulation, long service life, and so on.



主要零件材料

序号	名称	材料	序号	名称	材料
1	阀体	WCB	5	阀杆	2Cr13
2	阀板	WCB+工程式陶瓷	6	中阀体	WCB
3	阀座	工程式陶瓷	7	支架	WCB
4	连接杆	Q235-A	8	气动装置	

应用规范

设计依据	GB	API	ASME
设计标准	GB/T12237	API6D	ASME B16.34
结构长度	GB/T12221	API6D	ASME B16.10
连接法兰	GB/T9113 JB/T79	ASME B16.5\B16.47	
试验和检验	JB/T9092	API6D	API598

试验压力

单位:MPa

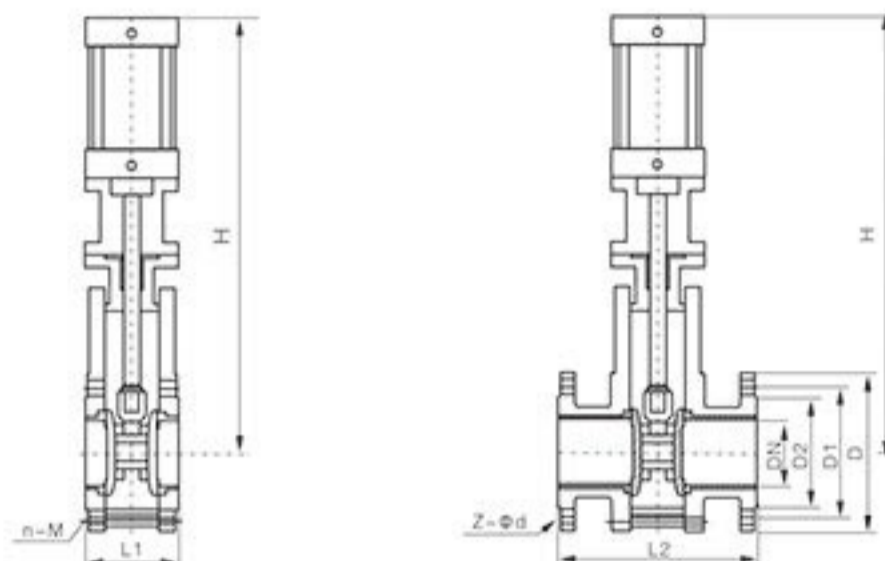
公称压力	常温最大工作压力	壳体试验压力	气密封试验压力	高压密封试验压力
1.6	1.6	2.4	0.6	1.76
2.5	2.5	3.8	0.6	2.75
4.0	4.0	6.0	0.6	4.4
6.4	6.4	9.6	0.6	7.1
Class150	2.0	3.0	0.6	2.2
Class300	5.0	7.5	0.6	5.5

Z644TC/Z674TC耐磨陶瓷出料阀

Wear-resistant ceramic valve



全国免费热线：4000 700 555



主要尺寸

型号	PN	尺寸(mm)								
		DN	≈L1	≈L2	D	D1	D2	n-M	Z-φd	≈H
Z644TC Z674TC	0.6MPa	50	121	229	140	110	90	4-M12	4-φ14	480
		65	121	229	160	130	110	4-M12	4-φ14	500
		80	130	255	185	150	125	4-M16	4-φ18	630
		100	150	298	205	170	145	4-M16	4-φ18	690
		125	170	310	235	200	175	8-M16	8-φ18	720
		150	170	360	260	225	200	8-M16	8-φ18	810
		200	200	380	315	280	255	8-M16	8-φ18	950
		250	250	450	370	335	310	12-M16	12-φ18	1180
		300	300	500	435	395	362	12-M20	12-φ23	1390
		350	350	550	485	445	412	12-M20	12-φ23	1500
	1.0MPa	50	121	229	160	125	100	4-M16	4-φ18	480
		65	121	229	180	145	120	4-M16	4-φ18	500
		80	130	255	195	160	135	8-M16	8-φ18	630
		100	150	298	215	180	155	8-M16	8-φ18	690
		125	170	310	245	210	185	8-M16	8-φ18	720
		150	170	360	280	240	210	8-M20	8-φ23	810
		200	200	380	335	295	265	12-M20	8-φ23	950
		250	250	450	390	350	320	12-M20	12-φ23	1180
		300	300	500	440	400	368	12-M20	12-φ23	1390
		350	350	550	500	460	428	16-M20	16-φ23	1500
	1.6MPa	50	121	229	160	125	100	4-M16	4-φ18	480
		65	121	229	180	145	120	4-M16	4-φ18	500
		80	130	255	195	160	135	8-M16	8-φ18	630
		100	150	298	215	180	155	8-M16	8-φ18	690
		125	170	310	245	210	185	8-M16	8-φ18	720
		150	170	360	280	240	210	8-M20	8-φ23	810
		200	200	380	335	295	265	12-M20	12-φ23	950
		250	250	450	405	355	320	12-M22	12-φ25	1180
		300	300	500	460	410	375	12-M22	12-φ25	1390
		350	350	550	520	470	435	16-M22	16-φ25	1500

PZ73TC-16C陶瓷刀型闸阀

Ceramic knife type gate valve



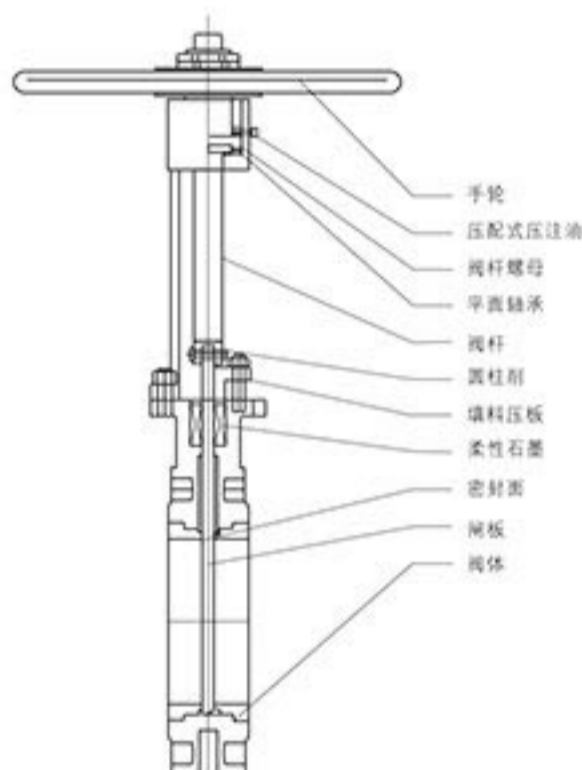
全国免费热线: 4000 700 555

特点:

- 1、密封面材料: 结构陶瓷或超硬表面合金材料二种。
- 2、适用于煤渣, 灰渣等气、固混合介质, 闸板、阀座和流道部位采用制造陶瓷材料制造, 耐磨损, 长寿命。
- 3、密封性能优越, 并可进行密封面修复。
- 4、进口阀座可作刮灰板, 即使在落灰情况下也关闭自如。
- 5、阀体腔体结构彻底避免了卡阻、积灰的问题。
- 6、驱动方式手动、气动和电动等。

CHARACTERISTIC

1. Seal the surface material: Structure portery of exceeding bvo kinds alloy materials of hard surface.
2. With cinder, gray dreg, etc being angry firm to mix medium, floodgate board, valve with flow dishes of position adopt ceramic material of structure make flat, itis decreased that wear-resisting macrobiotic life.
3. Unless the superior in sealing property. and whether it can go on not sealing there arenbt piece
4. Import valve seat can shave the disheartened board, close freely even in fall gray cases
5. The body cavity body struoture of the valve has prevented the card fromhin dering, accumulating the question of the dust completely.
6. Drive way: Manual,pneumatic and electronic, etc



主要零件材料

名称	材料	名称	材料
阀体、阀盖、支架	铸钢WCB阀体+陶瓷	阀座密封面	氧化铝陶瓷
阀杆、隔环	2Cr13	阀杆螺母	铜合金
闸板密封面	喷碳化钨	填料	YS45OF(T)柔性石墨
		手轮	球墨铸铁 (QT450-10)

应用规范

设计依据	GB	API	ASME
设计标准	GB/T12237	API6D	ASME B16.34
结构长度	GB/T12221	API6D	ASME B16.10
连接法兰	GB/T9113 JB/T79	ASME B16.5\B16.47	
试验和检验	JB/T9092	API6D	API598

试验压力

单位:MPa

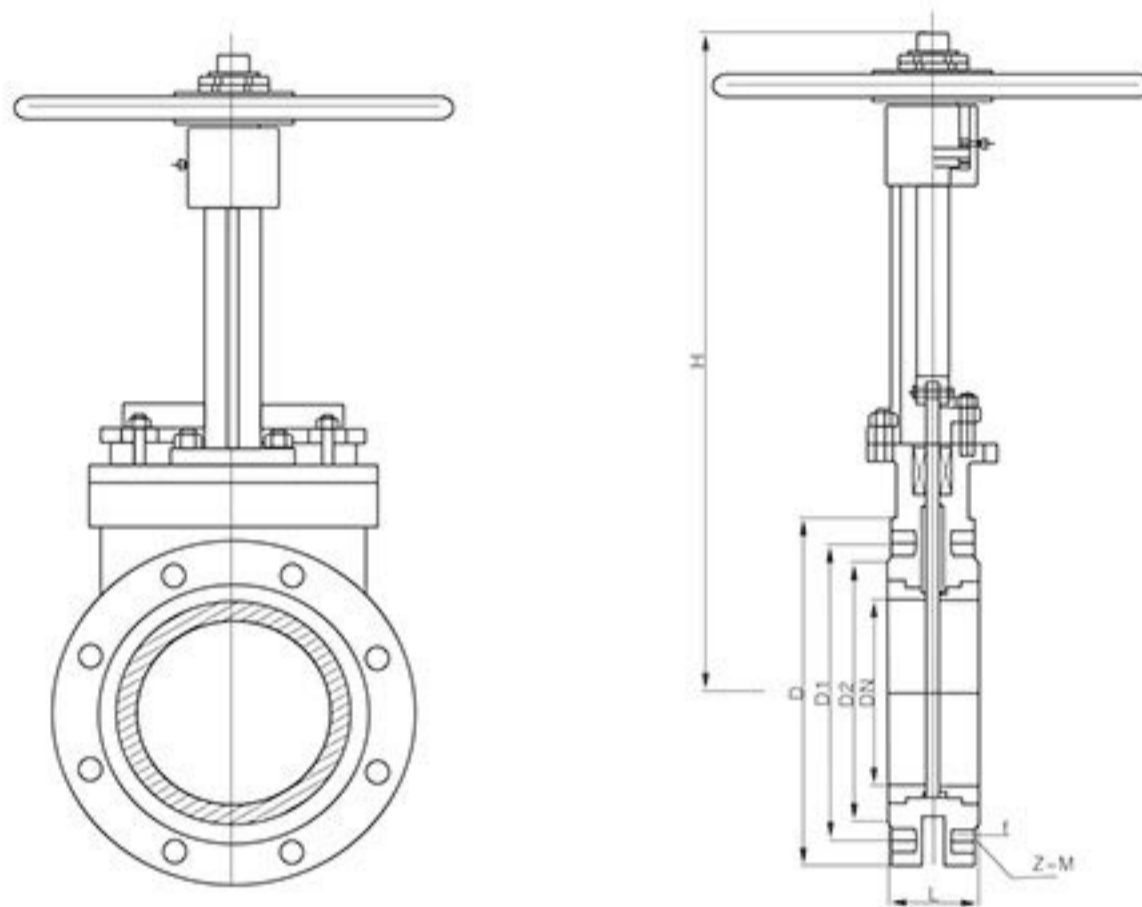
公称压力	常温最大工作压力	壳体试验压力	气密封试验压力	高压密封试验压力
1.0	1.0	1.5	0.6	1.1
1.6	1.6	2.4	0.6	1.76
Class150	2.0	3.0	0.6	2.2

PZ73TC-16C陶瓷刀型闸阀

Ceramic knife type gate valve



全国免费热线：4000 700 555



主要尺寸

公称压力 (Mpa)	公称口径 (mm)	L	D	D1	D2	F	Z-M	D0	H	
									手动	电动
1.0C	50	50	160	125	100	3	4-16	180	285	590
	65	50	180	145	120	3	4-16	180	298	608
	80	50	195	160	135	3	4-16	220	315	620
	100	50	215	180	155	3	8-16	220	365	665
	125	50	245	210	185	3	8-16	280	400	700
	150	60	280	240	210	3	8-20	280	475	775
	200	70	335	295	265	3	8-20	360	540	840
	250	70	390	350	320	4	12-20	360	630	930
	300	80	440	400	368	4	12-20	400	780	1080
	350	90	500	460	428	4	16-20	400	885	1185
	400	100	565	515	482	4	16-22	400	990	1360
	450	120	615	565	532	4	20-22	530	1100	1470
	500	120	670	620	585	4	20-22	530	1200	1570
	600	140	780	725	685	5	20-27	600	1450	1835
1.6C	50	50	160	125	100	3	4-16	180	285	590
	65	50	180	145	120	3	4-16	180	298	608
	80	50	195	160	135	3	4-16	220	315	620
	100	50	215	180	155	3	8-16	220	365	665
	125	50	245	210	185	3	8-16	280	400	700
	150	60	280	240	210	3	8-20	280	475	775
	200	70	335	295	265	3	12-20	360	540	840
	250	70	405	355	320	4	12-22	360	630	930
	300	80	460	410	375	4	12-22	400	780	1080
	350	90	520	470	436	4	16-22	400	885	1185
	400	100	580	525	485	4	16-27	400	990	1360
	450	120	640	585	545	4	20-27	530	1100	1470
	500	120	705	650	608	4	20-30	530	1200	1570
	600	140	840	770	718	5	20-36	600	1450	1835

PZ41THW耐磨碳化钨排渣阀

Wear-resistant tungsten carbide slag discharging valve



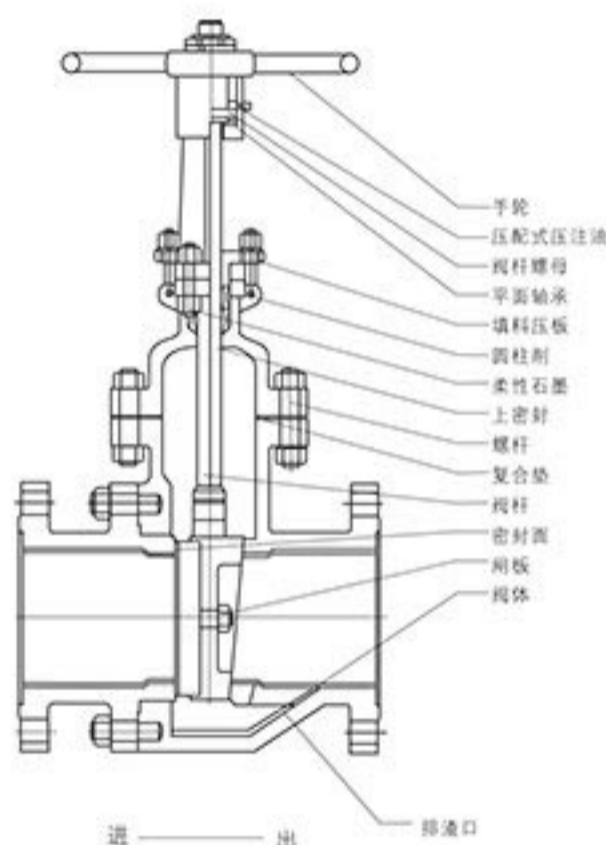
全国免费热线: 4000 700 555

特点:

- 1、排渣阀阀体下部分带有排渣口，在关闭的情况下由于管道压力冲向排渣口是渣子彻底排出。不会有灰渣留在阀底，使闸板完全密封。
- 2、材料的选用优于普通中低压阀，其中承压件采用铸钢，阀杆及密封面选用不锈钢。
- 3、排渣闸阀为平行式双闸板结构，密封可靠，启闭轻便，检修方便。
- 4、排渣闸阀可采月喷碳化钨，采月高温融化结合在阀体表面，硬度可达到60多度耐磨性强。

CHARACTERISTIC:

- 1、There is a scum discharge port on the lower part of the scum valve body. When the valve is closed the scum will be flushed to the scum discharge port due to the pipeline pressure to be discharged thoroughly without any scum left on the valve bottom so that the gate can be sealed fully.
- 2、The materials it adopts are better than those in general low / middle pressure valves. Of them, its pressure bearing part adopts cast steel while its stem and sealing surface adopt stainless steel.
- 3、The scum gate valve adopts a parallel double-gate structure, reliable for sealing and easy for opening, closing and overhaul.
- 4、The scum gate valve can adopt the tungsten carbide spraying to be incorporated onto the valve body surface through high-temperature melting with its hardness up to over 60 degrees and strong abrasion resistance.



主要零件材料

序号	名称	材料	序号	名称	材料
1	阀体、阀盖、支架	铸钢WCB	5	阀座密封面	25+碳化钨
2	阀杆、隔环	不锈钢 (2Cr13)	6	阀杆螺母	铜合金
3	闸板密封面	25+碳化钨	7	填料	YS45OF(T)柔性石墨
4	阀体内、口径通道	25+碳化钨	8	手轮	球墨铸铁 (QT450-10)

应用规范

设计依据	GB	API	ASME
设计标准	GB/T12237	API6D	ASME B16.34
结构长度	GB/T12221	API6D	ASME B16.10
连接法兰	GB/T9113 JB/T79	ASME B16.5 \ B16.47	
试验和检验	JB/T9092	API6D	API598

试验压力

单位:MPa

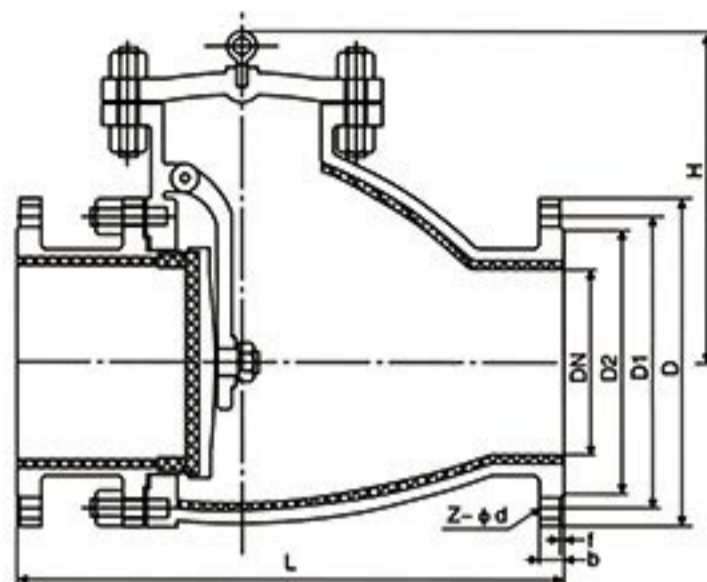
公称压力	常温最大工作压力	壳体试验压力	气密封试验压力	高压密封试验压力
1.6	1.6	2.4	0.6	1.76
2.5	2.5	3.8	0.6	2.75
4.0	4.0	6.0	0.6	4.4
6.4	6.4	9.6	0.6	7.1
Class150	2.0	3.0	0.6	2.2
Class300	5.0	7.5	0.6	5.5

PH44TC耐磨陶瓷排渣止回阀

PH44TC wear-resistant ceramic discharge check valve



全国免费热线：4000 700 555



主要尺寸

公称压力 (Mpa)	公称通径 (mm)									重量 (kg)
		L	D	D1	D2	Z-φd	B	F	H	
PH44H-10C	50	230	160	125	100	4-φ18	16	3	210	25
	65	230	180	145	120	4-φ18	18	3	240	31
	150	356	285	240	212	8-φ22	22	3	290	120
	200	495	340	295	268	8-φ22	22	3	345	200
	250	622	395	350	320	12-φ22	24	3	412	250
	300	698	445	400	370	12-φ22	26	3	468	320
	350	787	505	460	430	16-φ22	28	4	524	400
	400	900	565	515	482	16-φ26	30	4	600	517
	450	918	615	565	532	20-φ26	32	4	670	610
	500	978	670	620	585	20-φ26	34	4	750	705
PH44H-16C	80	241	200	160	132	8-φ18	20	3	260	48
	100	292	220	180	156	8-φ18	20	3	270	63
	150	356	285	240	212	8-φ22	24	3	290	130
	200	495	340	295	268	12-φ22	24	3	345	210
	250	622	405	355	320	12-φ26	26	3	412	260
	300	698	460	410	370	12-φ26	28	4	468	330
	350	787	520	470	429	16-φ26	30	4	524	415
	400	900	580	525	480	16-φ30	32	4	600	532
	450	918	640	585	548	20-φ30	34	4	670	625
	500	978	715	650	609	20-φ30	36	4	750	720
PH44H-25C	80	318	200	160	132	8-φ18	24	3	260	48
	100	356	235	190	156	8-φ22	24	3	270	65
	150	444	300	250	212	8-φ26	28	3	290	140
	200	535	360	310	278	12-φ26	30	3	345	230
	250	622	425	370	335	12-φ30	32	4	412	280
	300	711	485	430	390	16-φ30	34	4	648	350
	350	838	555	490	450	16-φ33	38	4	524	440
	400	864	620	550	505	16-φ36	40	4	600	550
	450	978	670	600	555	20-φ36	42	4	670	650
	500	1016	730	660	615	20-φ36	44	4	750	745

H74TC耐磨陶瓷对夹止回阀

H74TC wear-resistant ceramic wafer check valve

H44H(Y)-40-64P/R/I



全国免费热线: 4000 700 555

用途性能

本产品是我公司制造的高新技术产品。它广泛用于电力、石化、冶金、建材等工艺控制系统的干渣、干灰、水渣、水灰、使用温度 $\leq 180^{\circ}\text{C}$ 物料颗粒直径 $\leq 50\text{mm}$ 的输送系统中防止介质倒流装置。

USE PERFORMANCE:

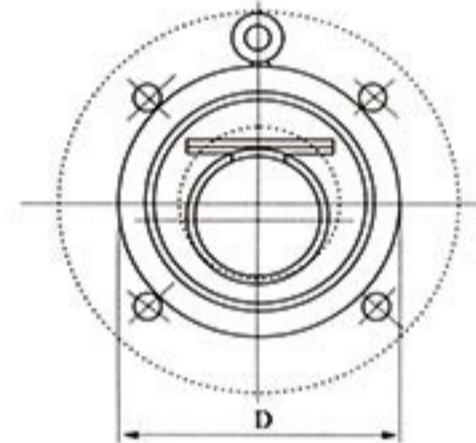
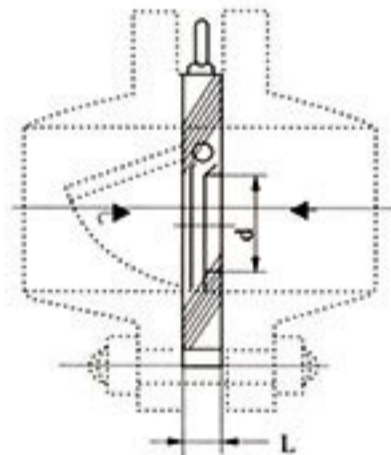
This product is the new high-tech product that our company made. It is used in electricity, petrochemical industry, metallurgy, building materials, craft control system, dry dust, water dust, use temperature 180°C extensively. special material particle diameter conveyor system, $\leq 50\text{MM}$ prevent medium from flow backwards the device.

工作原理:

止回阀是防止介质倒流的自动阀门。流体从进口侧流向出口侧。止回阀的阀瓣在流体压力的作用下开启，介质倒流时靠阀瓣的自重或辅助机构自动关闭，以防止介质倒流保护设备的正常运行。该产品的阀瓣、阀座密封面的材料均采用结构陶瓷制造，提高了阀门的耐磨性与耐冲刷性。大大地延长了使用寿命。该产品在阀座上设有防止冲击的结构，以保护阀座抗冲击性。

OPERATION PRINCIPLE:

This non-return valve prevents the automatic valve that the medium flows backwards the fluid flows into and exports to the side. from importing the side. The valve of the non-return valve is opened under a function in the fluid pressure the medium is closed automatically by the dead weight of the valve one or the auxiliary body while flowing back wards and protecting the normal running of the equipment. Product this valve petal. valve flat seal material of adopt structure pottery make, have improve the wear ability of the valve and able to bear the eroding has lengthened service life greatly. Product this have structure struck to prevent on the flat in valve, in order to protect valve flat resist person who bludgeon into.



主要零件材料:

型号	公称压力(MPa)	试验压力 (MPa)		工作温度	适用温度
		壳体	密封		
H74-TC-10		1.5	1.1	$\leq 200^{\circ}\text{C}$	灰渣、渣水混合物等介质 Medium and so on ash dregs, pulp water mixture
H74-TC-16	1.6	2.4	1.76		
H74-TC-25	2.5	3.75	2.75		
H74-TC-40	4.0	6.0	4.4		

主要零件材料:

型号	公称通径 (mm)	D	L	D			
				PN1.0	PN1.6	PN2.5	PN4.0
H74TC	50	25	22	109	109	109	109
	65	38	22	129	129	129	129
	80	46	22	144	144	144	144
	100	72	24	164	164	170	170
	125	95	26	194	194	186	186
	150	114	29	221	221	226	226
	200	140	43	271	275	286	293
	250	188	43	275	331	343	355
	300	216	50	330	386	403	420
	350	263	52	440	446	460	477
	400	305	62	491	498	517	549
	450	356	62	541	558	567	574
	500	406	80	596	620	627	631
600	482	90	698	737	734	750	

结构特点

- 1、开关寿命高、可重复控制
- 2、套管是唯一和介质接触的零件，不需要昂贵的合金阀体
- 3、有多种套管型式可以选择，用于满足的介质要求
- 4、外置行程调节
- 5、双向零泄漏关闭

结构材料

- 1、球铁阀体
- 2、执行器：ATO/ATC,ATO/FC,ATC/FO
- 3、套管-天然橡胶、氯丁橡胶、海帕轮、氯丁基橡胶、丁腈橡胶、三元乙丙橡胶、氟橡胶
- 4、法兰钻孔按ANSIB16.5Class 150.

GQ-3000系列控制阀具有在精确控制和免维护前提下的最好的耐磨性。高承载能力的管夹机构使套管可以在很宽的流量范围内实现精确控制。阀门没有密封填料需要维护、没有阀座磨损，橡胶套管的使用，省去了昂贵的合金阀体。

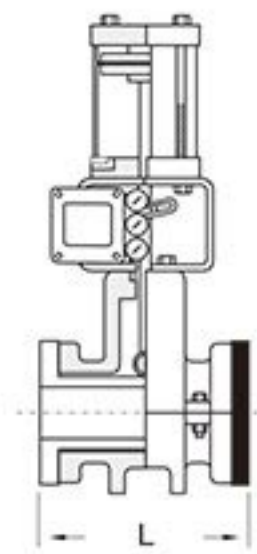
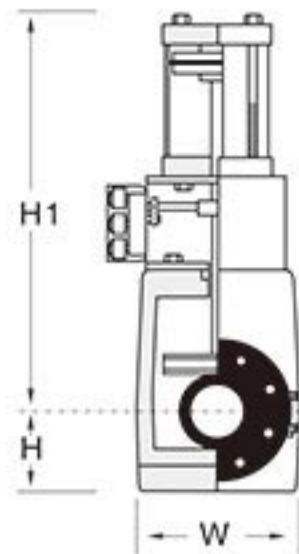
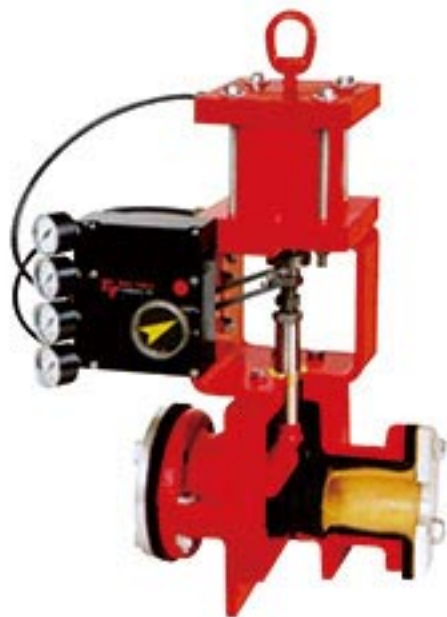
4" 以上的阀门，用一个下管夹杆预夹套管使子成D型流道，从而减小阀门的行程。D型流道对控制型号反映及时，而且没有流通能力损失。

锥形套管可用于进一步强化控制性能,并达到想要的准确Cv值。通过气动定位器和阀杆的直接联接可实现实时反馈定位，所以定位器输出不会间断。红阀5200系列控制阀的实时反馈定位的优点是：能将反馈信号的微小变化传送到定位器上，从而使阀门实际位置生相应的变化，极大地提高了控制精确度。

GQ-3000 series control valve has the accurate control and maintenance is the best wear resistance under the premise of. High bearing capacity of the pipe clamp mechanism so that the casing can be in a wide range of flows to realize fine Accurate control. The valve is not sealing packing need maintenance, no seat wear, use the rubber sleeve, saves alloy valve expensive.

4" above the valve, with a pipe clamp rod pre clamp casing into a D channel, thereby reducing the valve travel. D type channel control model of response time, and no capacity loss Loss.

Tapered bushing can be used for further performance enhancement, and achieve accurate Cv value you want. The pneumatic positioner valve stem directly connected and can realize the real-time position feedback, so the locator output Not break. The advantages of real time feedback positioning of the Red Valve Series 5200 control valve is: small changes in transmission can be feedback signal to the locator, so that the valve position actual students corresponding changes, Greatly improve the control accuracy.



主要尺寸及重量

阀门口径	长度 L	宽度 W	高度		工作压力 psi**	重量 ATO/ATC lbs*
			H	ATO/ATC H1*		
1"	7-1/4"	6"	2-7/16"	19"	150	50
1-1/2"	8-3/4"	8"	2-3/4"	19"	150	95
2"	10"	8"	3-1/2"	22"	150	125
2-1/2"	10-7/8"	9"	4"	24"	150	150
3"	11-3/4"	11-1/2"	4-1/4"	26"	150	185
4"	13-7/8"	13-1/2"	6-5/8"	29"	150	225

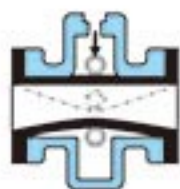
* 配FC或FO驱动器的阀门的具体高度和重量，请咨询工厂

**可提供更高的工作压力
更大口径（至72"），请咨询工厂

6"	17-3/4"	16-7/8"	7-5/8"	36"	150	305
8"	21-3/8"	19-7/8"	9-1/8"	43"	125	395
10"	26-1/2"	23-1/2"	11"	43"	100	520
12"	29"	27-1/2"	11-13/16"	46"	100	709
14"	28"	31"	14"	51"	75	1200
16"	32"	34"	15"	56"	50	1600
18"	36"	44"	19-1/2"	59"	50	2000
20"	40"	40"	17"	62"	50	2450



关闭动作



关闭动作

结构特点

- 1、电动驱动，控制精准
- 2、套管是唯一过流零件，不容易被介质中的杂质侵害，因此可保存操作扭矩不变。
- 3、双向密封，零泄漏关闭
- 4、封闭的明杆设计

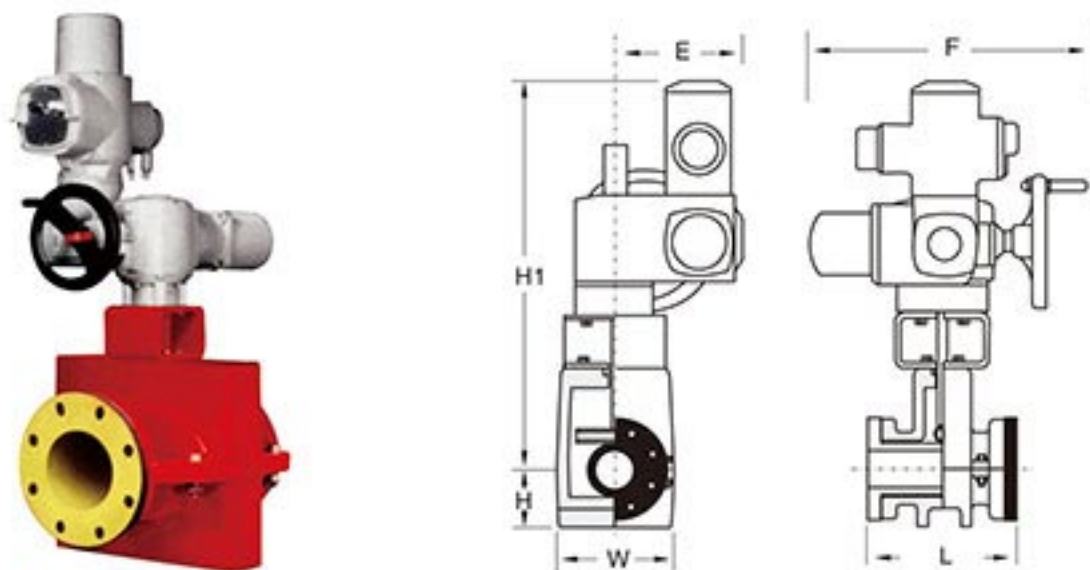
GD-3000系列电动控制阀是稳定可靠的、免维护的且性价比高的阀门，专门针对难以处理的泥浆和磨损性介质。没有阀座磨损、没有密封填料盒需要重装、没有密封件需要调整，从来没有。高强度的自清洁的橡胶套管隔离了所有的阀门机械零件，其他零件不会被介质侵害，因此可保存操作扭矩不变。

GD-3000系列电动控制阀采用AUMA、Limitorque、Rotork电动执行器作为标准配置，包括加热器、恒温调节器、位置指示器和指示灯。如要求，也可采用其它电动执行器。

离合器和手动优先操作杆是标准配置。可现场控制（和电动执行器一体），也可以作为遥控站的一个独立单元。可选项包括：NEMA7防爆结构、4-20mA比例控制器和4-20mA输出变送器。

GD-3000 series of electric control valve is stable and reliable, maintenance free and high ratio of valves, specifically to deal with the mud and wear medium. No seat wear, no secret stuffing box, no need to reinstall the seals need to be adjusted, never. High strength self rubber casing clean isolation valve mechanical parts so, other parts will not be media infringement, So it can save operating torque constant.

GD-3000 series of electric control valve with AUMA, Limitorque, Rotork electric actuator as standard, including a heater, thermostat, position indicators and indicator lights. If required, also can use other electric actuator. The clutch and the manual override lever is standard. Field control (and electric actuator integration), can also be used as an independent unit remote control station. Options include: NEMA7 explosion proof. The structure, the proportion of 4-20mA controller and 4-20mA output transmitter.



主要尺寸及重量

阀门口径*	长度 L	长度 W	高度		执行器 宽度 E**	执行器 长度 F**	工作压力 psi	重量 lbs
			H	H1**				
1"	7-1/4"	6"	2-7/16"	28-1/8"	9-1/3"	19-1/2"	150	87
1-1/2"	8-3/4"	8"	2-3/4"	28-1/4"	9-1/3"	19-1/2"	150	131
2"	10"	8"	3-1/2"	28-3/8"	9-1/3"	20-3/8"	150	164
2-1/2"	10-7/8"	9"	4"	29-5/8"	9-3/4"	21-1/8"	150	207
3"	11-3/4"	11-1/2"	4-1/4"	30-13/16"	9-3/4"	21-1/8"	150	240
4"	13-7/8"	13-1/2"	6-5/8"	34-1/8"	11-1/4"	27-3/4"	150	356
6"	17-3/4"	16-7/8"	7-5/8"	35-1/8"	11-1/4"	28"	150	443
8"	21-3/8"	19-7/8"	9-1/8"	37-7/8"	12-1/8"	33-7/8"	125	675
10"	26-1/2"	23-1/2"	11"	39-13/16"	12-1/8"	33-7/8"	100	810
12"	29"	27-1/2"	11-13/16"	40-5/8"	12-1/8"	33-7/8"	100	999
14"	28"	31"	14"	42-13/16"	12-1/8"	33-7/8"	75	1490
16"	32"	34"	15"	43-13/16"	12-1/8"	33-7/8"	50	1890
18"	36"	44"	16-1/2"	46-1/4"	14-7/16"	36-7/16"	50	2630
20"	40"	40"	17"	46-13/16"	14-7/16"	36-7/16"	50	3180
24"	48"	57"	20-1/2"	74-1/4"	15-13/16"	41"	50	3845
30"	60"	78"	20-1/2"	57"	19-1/8"	51"	50	6930
36"	72"	94"	32"	69"	19-1/8"	51"	40	12000
42"	84"	110"	38"	80"	20-5/8"	55-5/8"	35	19000
48"	96"	125"	43"	92"	20-5/8"	55-5/8"	30	28500
54"	108"	141"	49"	104"	20-5/8"	55-5/8"	25	40000

* 口径超过4", D型流道设计

**尺寸是配AUMA执行器的尺寸, 仅供参考, 准确尺寸, 请咨询工厂。
更大口径 (至72"), 请咨询工厂

结构特点

- 1、按高截荷阀门设计的驱动装置在套管轴线位置关闭阀门
- 2、从不需要需维护的密封填料
- 3、适合腐蚀性和磨损性泥浆的理想阀门
- 4、实时定位反馈

结构材料

- 1、球铁阀体
- 2、执行器:ATO/ATC、ATO、ATOFO、液压缸或电动执行器
- 3、套管:天然橡胶、氯丁橡胶、海帕轮、氯丁基橡胶、丁腈橡胶、三元乙丙橡胶、氟橡胶
- 4、法兰钻孔符合ANSI B16.5 150磅级

GD-500系列控制阀的特色为中线关闭(套管个中轴线),实时定位反馈、结构紧凑、准确的可重复的可变的文氏管流体控制。

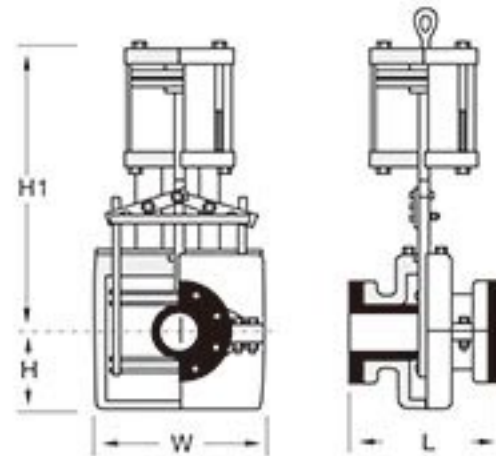
对于用于磨损和高流速场合的大口径管夹阀,中线关闭特别重要,中线关闭使阀门在控制磨损性和腐蚀性泥浆时,其寿命大大高于其他形式的闸阀、旋塞阀或球阀。弹性的合成橡胶套管的寿命甚至优于镀斯太莱硬质合金控制阀。

锥形套管可以专门用于进一步加强控制性能并达到想要的准确的Cv值水平。通过气动定位器与阀杆的直接链接可实现实时反馈定位,所以定位器输出不会间断。GD-500系列控制阀的实时反馈定位的优点是反馈信号的微小变化,极大地提高了控制精确度和可靠性。

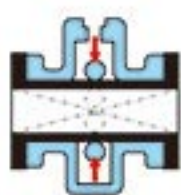
GD-500 series valve features (midline closure sleeve central axis), venturi real-time position feedback, variable structure compact, accurate and reproducible tube fluid control.

For wear and high velocities of large diameter pipe clamp valve, midline closure is particularly important, close the valve in the control line wear and corrosive slurry, its life is greatly higher than that of the He form of gate valve, plug valve or valve. Synthetic rubber sleeve flexible life even better than Levin plated Adams too hard alloy control valve.

The conical sleeve can be used specifically to further strengthen the control performance and achieve the desired accuracy level of Cv value. The pneumatic positioner and direct link stem can realize real-time position feedback, So the locator output will be uninterrupted. GD-500 series control valve position feedback real-time feedback has the advantages of small changes should signal, greatly improve the control accuracy and reliability.



主要尺寸及重量 t



关闭动作

阀门口径	长度 L	宽度 W	高度		工作压力 psi**	重量 ACO/ATC lbs*
			H	ACO/ATC H1*		
4"	9"	10-1/2"	5-3/4"	26-1/2"	150	210
5"	10"	15-3/8"	8-1/2"	32"	150	250
6"	10-1/2"	18-1/4"	7-7/8"	32-1/8"	150	288
8"	16"	23-1/4"	8-1/8"	32-1/2"	150	385
10"	20"	29-3/4"	10-1/2"	43"	150	520
12"	24"	35"	11-1/2"	46"	150	709
14"	28"	37-1/2"	14-1/2"	51-3/4"	150	1200
16"	32"	41-1/2"	15-1/2"	56-1/2"	150	1600
18"	36"	51"	17"	59-1/2"	150	2000
20"	40"	47-3/4"	17-3/4"	62-3/4"	150	2450
24"	48"	57"	25-1/2"	***69"	150	4200
30"	60"	78"	20-1/2"	***74"	50	8300
36"	72"	77"	32"	***96"	45	14300
42"	84"	92"	36"	***124"	40	28500
48"	96"	106"	41"	***136"	35	42500
54"	108"	120"	48"	***148"	30	60000

* 配FC或FO(失压关闭或失压开启执行器)的阀门的具体重量和高度,请咨询工厂。

** 可提供更高工作压力。

***仅适用液压缸或电动驱动器。
更大口径(72"),请咨询工厂

GQ-1000系列管夹阀

GQ-1000 series of pipe clamp valve

结构特点

- 1、工作压力可达720psi
- 2、高压设计，用于切断隔离
- 3、具有高承载能力的聚酯纤维Kevlar加强层的高压套管是唯一过流零部件
- 4、使用寿命长
- 5、封闭的阀体设计

结构材料

- 1、铁球或316不锈钢阀体
- 2、套管：天然橡胶、氯丁橡胶、海帕伦、氯丁基橡胶、丁腈橡胶、三元乙丙橡胶、氟橡胶
- 3、4:1、8:1或16:1伞齿轮传动手动执行器、电动执行器或液压缸
- 4、法兰钻孔符合ANSI B16.5 300磅级、ANSI B16.1 250磅级（150磅级可选）

GQ-1000系列高压管夹阀是三牧的ANSI 3000磅级管夹阀产品。采用了三牧加厚套管，提高了阀门的耐磨性能，额定工作压力可高达720psi。GQ-1000也可采用三牧专利产品锥形套管用于控制以及三牧的标准套管用于低压工况。

GQ-1000系列管夹阀的底部装有一个高承载能力的行程调节装置，当套管因磨蚀时，可供用户调整或调节阀门的行程，减少系统的停机时间。

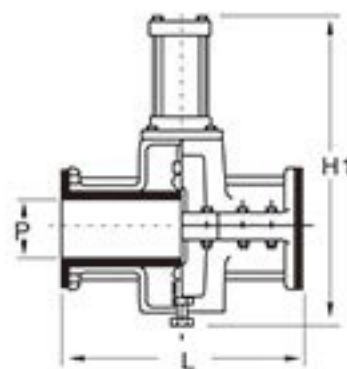
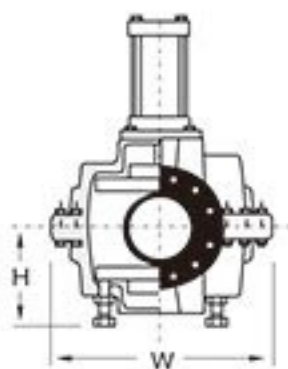
GQ-1000系列可配各种执行器，手动操作采用伞齿轮执行器；自动控制采用液压或电动执行器；小口径或低压的阀门采用气动执行器。在低压场合，GQ-1000系列管夹阀的连接法兰也可采用ANSI 150磅级的钻口结构。

GQ-1000 series high pressure pipe clamp valve is the only ANSI 3000 pound pipe clamp valve products. Use Sanmu upset casing, improves the wear resistance of the valve, the working pressure can be as high as 720psi. GQ-1000 also can use Sanmu patent product conical sleeve for the control and the only standard for condition of low pressure casing.

GQ-1000 series of pipe clamp valve is installed at the bottom of a high load-bearing capacity of the stroke adjustment device, when the casing by abrasive, for the user to adjust or adjust the valve stroke, reduce system downtime.

The GQ-1000 series can be equipped with a variety of actuator, manual operation and a bevel gear actuators; automatic control by hydraulic or electric actuator; small diameter or low-pressure valve with pneumatic actuator.

At low pressure, GQ-1000 series pipe clamp valve connecting flange can also drill export structure using ANSI class 150.



主要尺寸及重量

阀门口径	全口径套管		加厚套管		长度 L	宽度 W	高度		重量 lbs
	流通口径 P	100°F时的最大工作压力 psi**	流道口径 P***	100°F时的最大工作压力 psi**			H	H1	
1"	1"		1/2"	720	7-3/4"	12"	6"	16"	73
2"	2"	335	1-1/2"	720	9-1/2"	16"	8"	22"	229
3"	3"	240	2"	720	10-3/4"	17"	9"	26"	335
4"	4"	185	3"	720	14"	20"	11"	28"	438
6"	6"	245	4"	720	20"	23"	13"	33"	600
8"	8"	250	6"	720	26"	25"	15"	39"	802
10"	10"	200	8"	720	32-1/2"	33"	20"	51"	1083
12"	12"	175	10"	720	38-1/2"	40"	25"	62"	1477
14"	14"	320	12"	720	45"	45"	28"	68"	2350
16"	16"	360	14"	720	51"	51"	31"	74"	3500
18"	18"	265	16"	720	57-1/2"	56"	34"	80"	5000
20"	20"	240	18"	720	64"	62"	37"	87"	6850
24"	24"	250	20"	720	77"	71"	40"	100"	11800
26"	26"	150	24"	720	83"	77"	43"	108"	15000

* 配液压缸

** 可提供更高压力

*** 可提供其他流道口径，请咨询工厂。

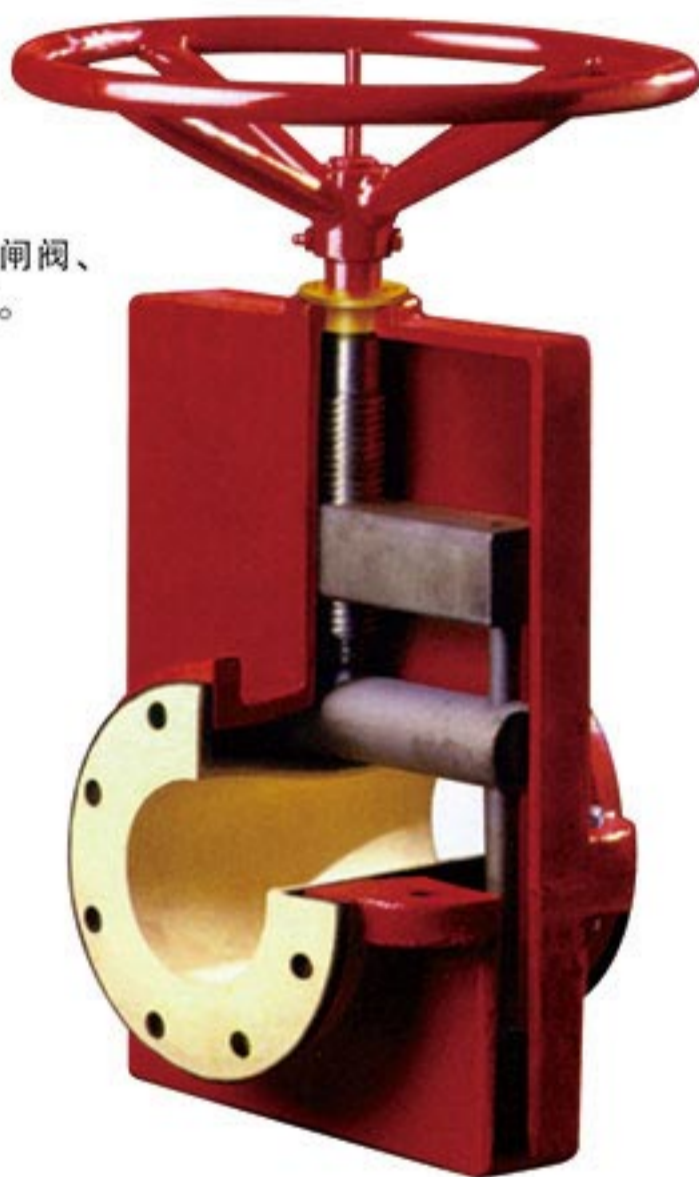
GYL系列手动管夹阀

GYL series manual operated pinch valve



全国免费热线：4000 700 555

- 1、12" 及12" 以下，法兰面间距与闸阀、旋塞阀和球阀相同，安装可互换。
- 2、100%全通径
- 3、双向零泄漏密封
- 4、从不需要需维护的密封件
- 5、套管是唯一的过流零件，不需要昂贵的合金材料阀体
- 6、套管自清洁
- 7、卓越的节流特性



75系列柔性套管隔离了阀门的其它工作零件与介质之间的接触。



两个管夹杆向套管中轴线位置靠拢，避免了紊流和磨损，使套管成为一个关闭中的平滑的文氏管，且每次操作都能自清洁。



完全关闭，75系列手动管夹阀确保双向零泄漏关闭，其安全的设计结构决定了它没有需要维护的密封填料。



采矿

尾矿处理、浮选控制、排泥管线、其它多种泥浆应用。

化学过程控制

腐蚀和磨损性材料、粉末、颗粒和废料处理。

污水处理厂

污泥控制、沙粒去除、原污水、石灰、炭泥、消化罐气体。

电厂

FGD系统、涤气系统、输煤装置、飞灰控制、底灰控制。

GYL/GYG系列手动管夹阀

GYL/GYG series manual operated pinch valve



全国免费热线：4000 700 555

结构特点

- 1、法兰面间距与闸阀、旋塞阀和球阀相同
- 2、100%全通径设计
- 3、双向零泄漏关闭
- 4、从无密封填料需要维护
- 5、套管是唯一的过流零件，减少了维护和采用金属阀体的成本
- 6、无污染、绝对安全的设计消除了排放泄漏问题

结构材料

- 1、铸铁或铝合金阀体（GYL系列），
碳钢焊接框架设计（GYG系列）
- 2、套管：天然橡胶、氯丁橡胶、海帕伦、
氯丁基橡胶、丁腈橡胶、三元乙丙橡胶、氟橡胶
- 3、ANSI 125/150磅级法兰。

GYL/GYG系列手动管夹阀是专门设计用于泥浆、腐蚀性和磨损性化学介质的可靠、免维护、高性价比的阀门。没有阀座挤压，没有填料腔需要重新填充，没有填料压盖需要调整，一直没有。加管动作是向套管中轴线方向运动的，因此阀门关闭时，使套管形成一个平滑的文氏管，并可以自清洁。

这一独特阀门的核心是耐用的、柔韧的橡胶套管，它采用高强度的纤维加强。套管是阀门的唯一过流零件，这就免去了维护和昂贵材料的需求。另外，阀门不会因时间久远而操作不灵，且能保持始终如一的操作扭矩。设计原理十分简单两个机械夹杆打开或关闭橡胶套管。

由于其卓越的控制特性，手动管夹阀可以用作可变的节流器。很少有手动阀门有这样的节流优点。另外，该阀门还可以双向密封，且零泄漏。可提供多种选择，例如，用于埋入应用的75B、AWWA螺母、链轮、加长杆、伞齿轮驱动器等。

GYL/GYG series manual operated pinch valve is specially designed for mud, corrosion resistance and wear resistance of the chemical medium reliable, maintenance free, high performance to price ratio valve. No seat extrusion, did not fill The material cavity to fill, no packing gland to adjust, there has been No. The tube action is to exercise the axis sleeve, so the valve is closed, the casing form a smooth paperTube, and can self clean.

The core of this unique rubber sleeve valve is durable, flexible, it uses the high strength of the fiber reinforced. The casing is only the over-current parts of valves, which avoids the expensive to maintain and materials Demand. In addition, the valve will not be operating problems for a long time, and can keep the operating torque be consistent from beginning to end. The design principle is very simple two mechanical clamping rod to open or close the rubber sleeve.

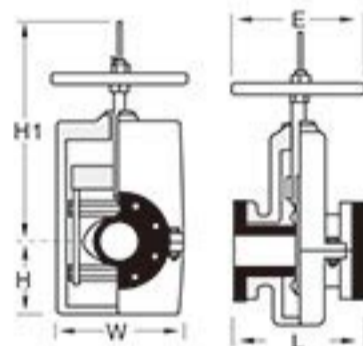
Because of its superior control characteristics, manual pinch valve can be used as a throttle variable. Very few manual valve has the advantages that the throttle. In addition, the valve can also be two-way seal, and zeroLeak. Can provide a variety of options, such as 75B, AWWA, embedded applications, sprocket nut, an extension rod, bevel gear drive for.



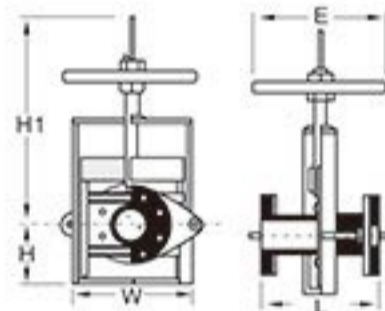
GYL系列



GYG系列



GYL系列



GYG系列

主要尺寸及重量

阀门口径	长度 L	宽度 W	高度		手轮直径 E	工作压力 psi	GYL系列重量 lbs	GYG系列重量 lbs
			H	H1				
*1-1/2"	5-1/2"	5-7/8"	10-1/2"	2-7/8"	6"	150	20	15
*1-3/4"	5-1/2"	5-7/8"	10-1/2"	2-7/8"	6"	150	20	15
1"	5-1/2"	5-7/8"	10-1/2"	2-7/8"	6"	150	20	15
1-1/2"	6-1/2"	9"	12"	3-5/8"	6"	150	34	20
2"	7"	10-1/2"	15-3/4"	5-3/8"	8"	150	50	25
2-1/2"	7-1/2"	9-1/2"	16-1/4"	4-3/4"	12"	150	62	36
3"	8"	9-1/2"	16-1/4"	5"	12"	150	80	40
4"	9"	10-3/4"	17-1/2"	5-1/2"	12"	150	85	50
5"	10"	15-3/8"	24-1/2"	7-3/4"	**18"	150	170	100
6"	10-1/2"	18-1/4"	24-1/4"	8-3/8"	**18"	150	186	100
8"	16"	23-1/4"	34"	9-3/4"	**18"	125	400	180
10"	20"	31-1/4"	37"	10"	**18"	100	500	200
12"	24"	35"	38"	12"	**18"	100	650	260
14"	28"	37"	36"	14-3/8"	**18"	75	1030	473
16"	32"	36-3/8"	40"	15-1/2"	**18"	50	1250	560
18"	36"	44"	43"	20-1/2"	**18"	50	1400	690
20"	40"	49-1/4"	45"	21"	**18"	50	1610	770
24"	48"	51"	51-1/2"	25"	**18"	50	2028	1150

1" 法兰，具有较小全开流道

**推荐使用伞齿轮驱动器，直径为24"的手轮伞齿轮驱动器配置。更大口径，至72"，请咨询工厂。



For China's
fluid equipment 为中国流体设备创造努力!
creative efforts!

诚招全国代理商

TEL : 4000 700 555

上海三牧阀门制造有限公司
SHANGHAI SANMU VALVE MANUFACTURING CO., LTD.

Http://www.cnsmf.com
E-mail: 81853688wqh@163.com

地址:上海市奉贤区庄行经济开发区500号
Add:No. 500 Zhuang Economic Development
Zone Fengxian District Shanghai

电话/Tel: 021-51098555
传真/Fax: 021-33321155